

Dwarf 3kW Wood Stove

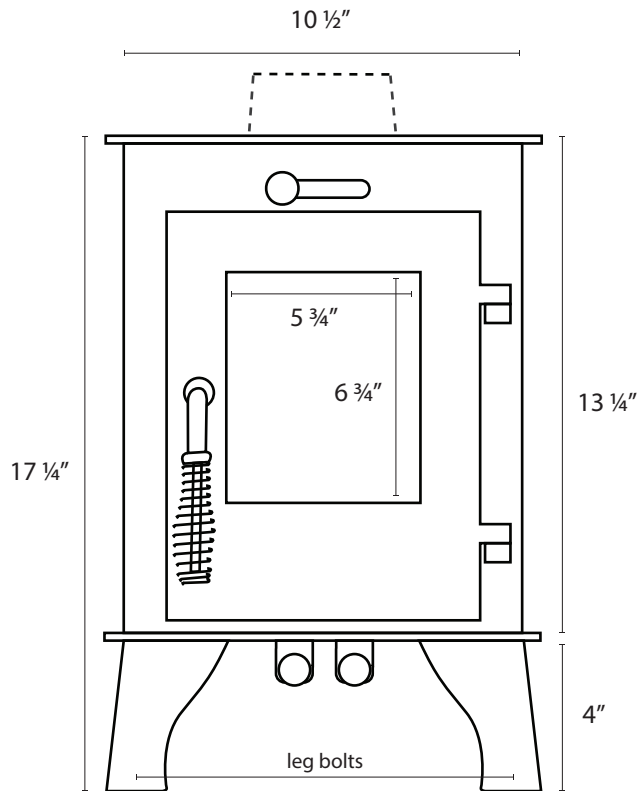


TINY WOOD STOVE

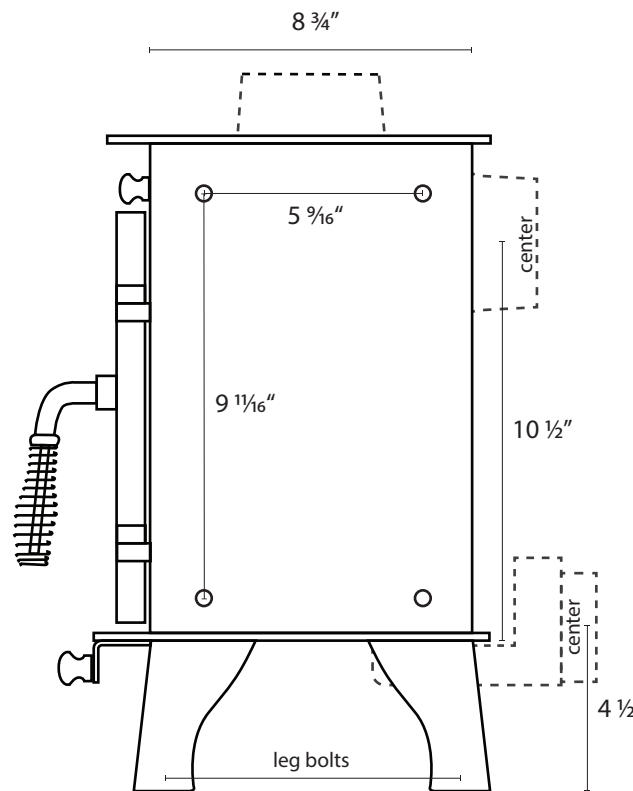
SMALL STOVES FOR TINY SPACES

tinywoodstove.com

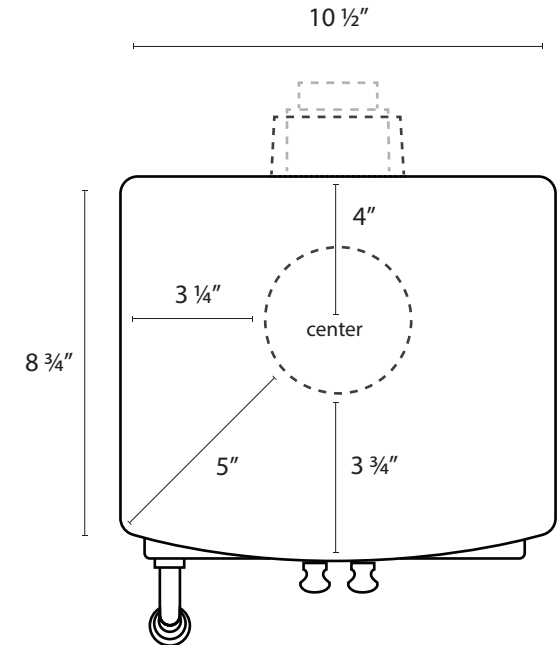
support@tinywoodstove.com



Standard Legs: 9 1/4" - 9 1/2"
Tall Legs: 9 7/8" - 10"



Standard Legs: 7 1/4" - 7 1/2"
Tall Legs: 7 3/4" - 8 1/8"



Disclaimer: Measurements are based on the stove's design specs; however, variances can naturally occur within the manufacturing process. It's best to have the stove on hand prior to drilling or cutting any holes.

Other Dimensions & Specs

- Tall Legs: 8"
- Wood Storage Stand: 10 1/2" H
- Firebricks: 7" H x 4" W x 7/8" D
- Flue Flange: inner diameter: 4 1/8" (+/- 1/4")
outer diameter: 4 5/16" (+/- 1/4")
- Opening for wood (clear opening above coal bar): 4 1/2" H x 7" W
- Stove Leg Hardware: M6 x 1.0 x 12mm
- Stove Body Mounting Hardware: M6 x 1.0 x 8mm